

MAX AIR SYSTEMS

A PRODUCT LINE BY TEXAS ELECTRONICS CANADA INC.

MAX FLEXAIR SOURCE EXTRACTION ARMS WITH A COUNTER-BALANCE DESIGN THAT REALLY WORKS!

Unlike conventional arms that are susceptible to the effects of gravity which can cause most arms to droop, the **MAX FLEXAIR** with counter-balance design ensures easy movement from one position to another with minimal effort and guaranteed positive placement!

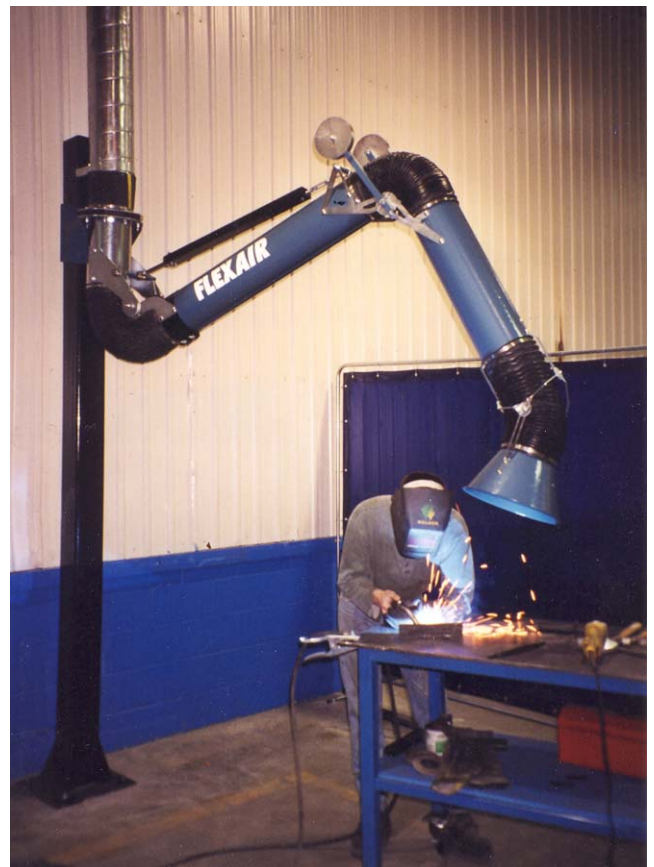
Extension booms of 5 or 10 feet are available to extend the arms' overall reach and offer up to a 25-foot range of motion. With size options of 6 or 8 inch diameter and lengths of 7, 11 and 15 feet, the

MAX FLEXAIR can suit most applications!

The arms also come with a mounting bracket for wall or column, flex hose & fully adjustable pick-up hood.

FEATURES & BENEFITS:

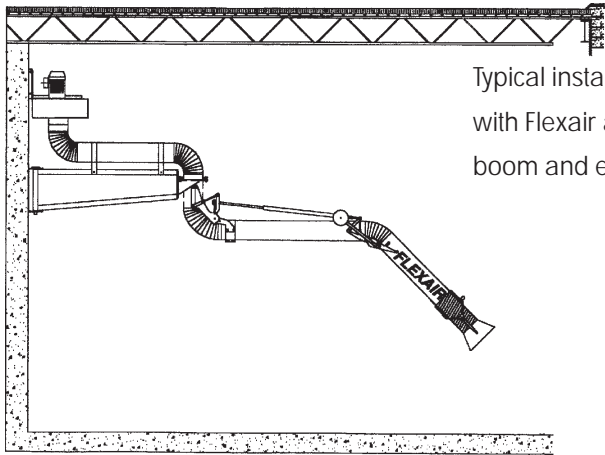
- COUNTER-BALANCE DESIGN
- OPTIONAL EXTENSION BOOMS, LIGHT KITS & REMOTE STOP/START
- CAPTURES SMOKE, DUST & OTHER CONTAMINANTS
- ADAPTABLE TO EXISTING EXHAUST FAN OR CENTRAL FILTRATION SYSTEM
- EASY INSTALLATION





MAX FLEXAIR

FEATURES & SPECIFICATIONS



Typical installation shown with Flexair arm, extension boom and exhaust blower

OPTIONS

- HOOD MOUNTED STOP/START
- 75 WATT HALOGEN LIGHT KIT
- DAMPER
- CUSTOM DIAMETERS AND LENGTHS
- EXHAUST BLOWER OR FILTER UNITS
- MOUNTING FOR MOBILE UNITS
- STAINLESS STEEL CONSTRUCTION
- EXTENSION BOOMS

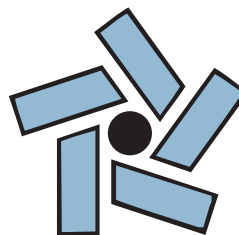
| Model | Length | Hose Diameter | Recommended Air Volume |
|---------|----------|---------------|------------------------|
| FA-7-6 | 7.0 ft. | 6.0" | 600-800 |
| FA-11-6 | 11.0 ft. | 6.0" | 600-800 |
| FA-15-6 | 15.0 ft. | 6.0" | 600-800 |
| FA-7-8 | 7.0 ft. | 8.0" | 1000-1200 |
| FA-11-8 | 11.0 ft. | 8.0" | 1000-1200 |
| FA-15-8 | 15.0 ft. | 8.0" | 1000-1200 |

| SPECIFICATIONS | |
|------------------|---|
| Base | 8 ga. plated steel with ball-bearing swivel |
| Arm Construction | rigid duct section constructed from 16ga. aluminium, flex hose constructed from polyester with neoprene coating |
| General Design | counter-weight and gas-spring assisted |
| Finish | powder coat paint |
| Type | minimal resistance, full external articulation |
| Hood | round, flanged with screen |

* Texas Electroniques reserves the right to make changes in the design and specifications to improve our products.

MAX AIR SYSTEMS provide a safe, productive and healthy environment, while helping industry to meet ever-increasing clean air regulations.

Distributed By:



MAX FLEXAIR
 is another product of:
TEXAS ELECTRONIQUES CANADA INC.
 2125 Madison Avenue
 Montreal, Quebec H4B 2T2 Canada
 Tel: (514) 842-4431 OR (800) 387-9696
 Fax: (514) 842-8641
 Web Site: www.texaselec.com
 E-mail: info@texaselec.com



TEXAS ELECTRONICS INC.

AIR POLLUTION CONTROL SYSTEMS

2125 MADISON AVE.

MONTREAL, QUEBEC H4B 2T2

TEL: (514) 842-4431 FAX (514) 842-8641

TITLE

**FLEXAIR
SOURCE CAPTURE ARM**

DATE:

MARCH 2004

DRAWN:

M F

APPROVAL:

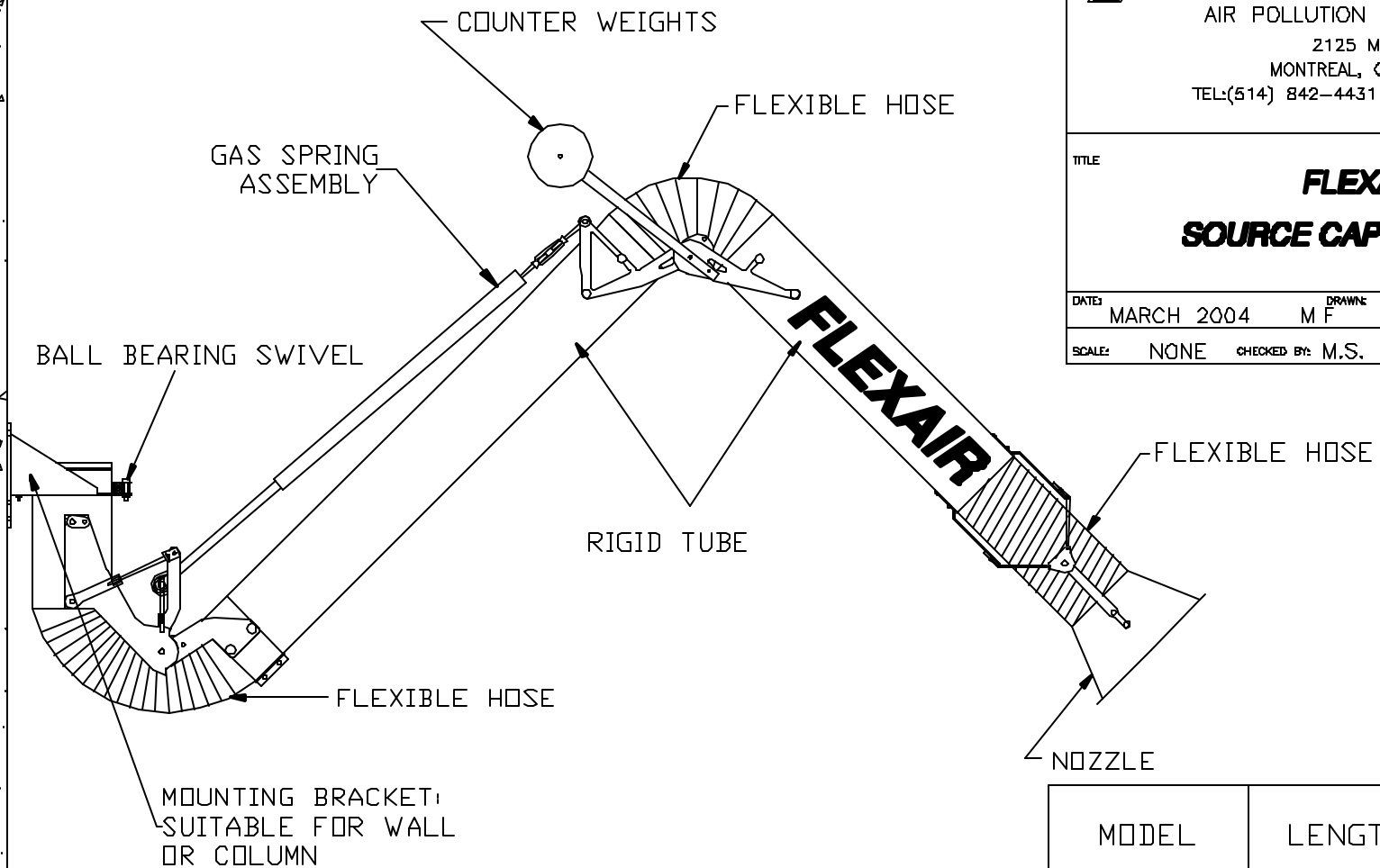
SCALE:

NONE

CHECKED BY:

M.S.

DRAWING NO FLEXAIR1.ENG.DWG



| MODEL | LENGTH | DIAMETER |
|----------|--------|----------|
| FA-7-6 | 7' | 6" |
| FA-7-8 | 7' | 8" |
| FA-8.5-6 | 8.5' | 6" |
| FA-8.5-8 | 8.5' | 8" |
| FA-11-6 | 11' | 6" |
| FA-11-8 | 11' | 8" |
| FA-15-6 | 15' | 6" |
| FA-15-8 | 15' | 8" |



TEXAS ELECTRONICS INC.

AIR POLLUTION CONTROL SYSTEMS

2125 MADISON AVE.

MONTREAL, QUEBEC H4B 2T2

TEL:(514) 842-4431 FAX (514) 842-8641

TITLE

**FLEXAIR
SOURCE CAPTURE ARM
TYPICAL RANGE OF MOTION**

DATE:

MARCH 2004

DRAWN:

M.F.

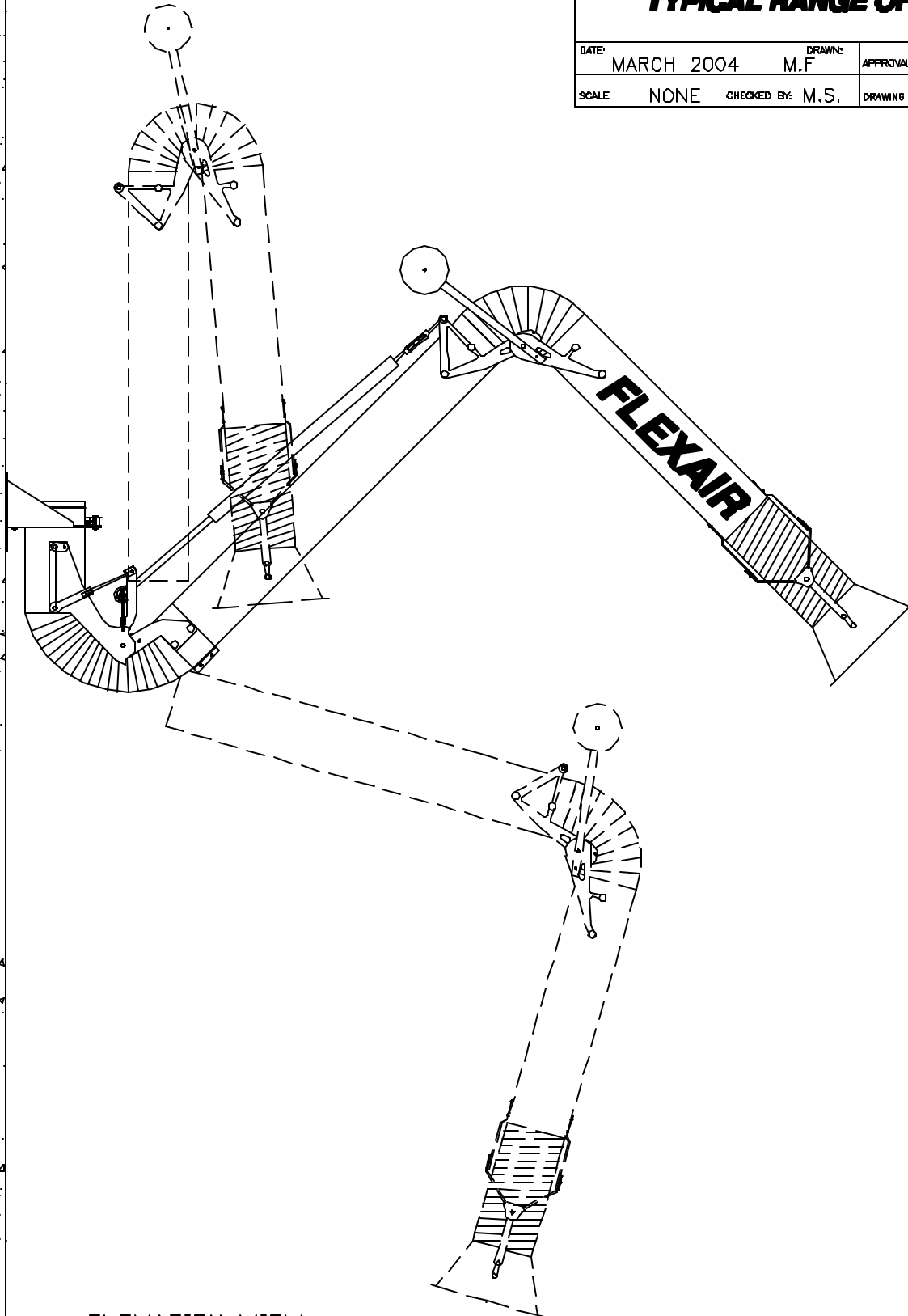
APPROVAL:

SCALE

NONE

CHECKED BY: M.S.

DRAWING NO. FLEXAIR2ENG.DWG



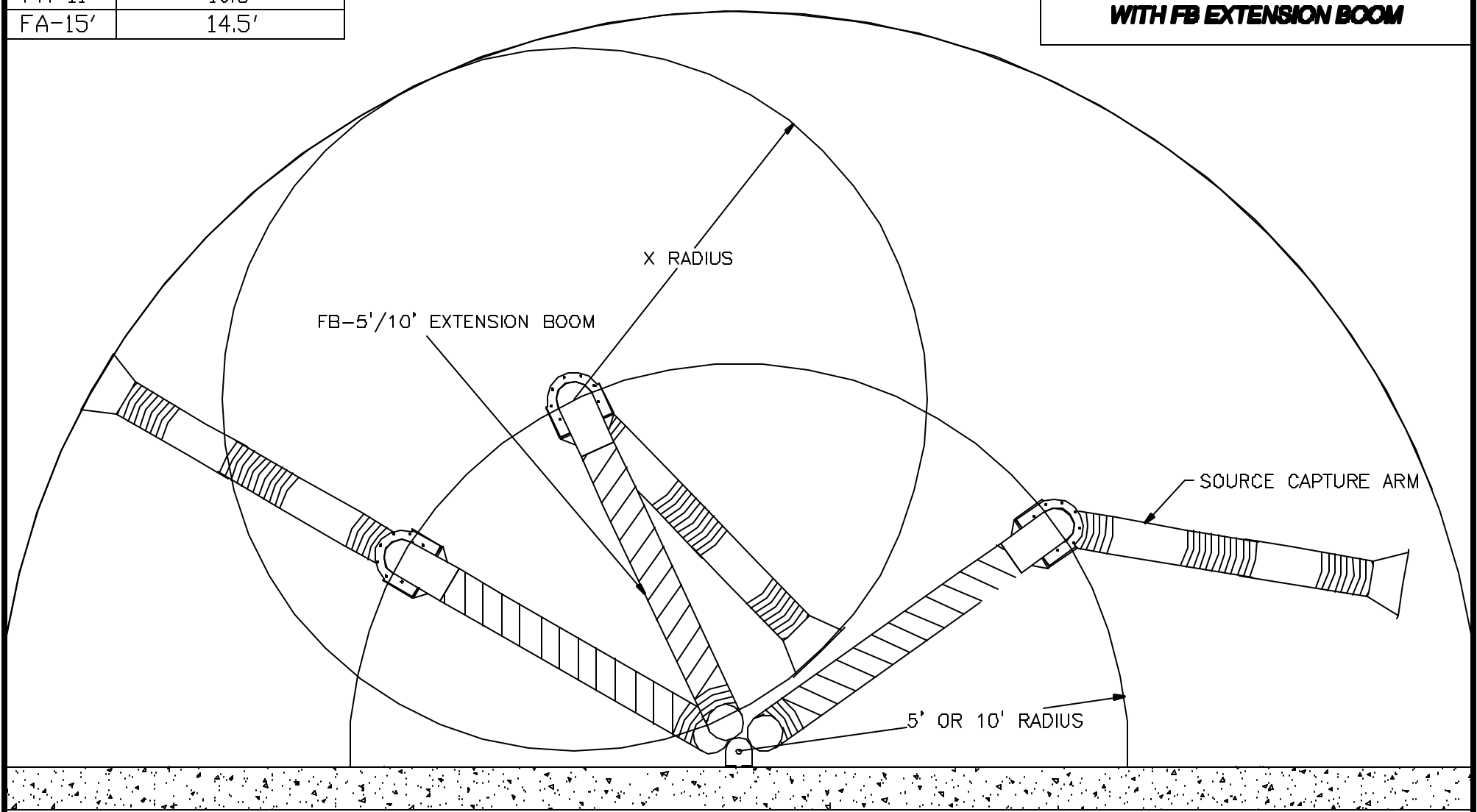
ELEVATION VIEW

SOURCE CAPTURE ARM RANGE

| MODEL | X RADIUS |
|---------|----------|
| FA-7' | 6.5' |
| FA-8.5' | 8' |
| FA-11' | 10.5' |
| FA-15' | 14.5' |

TE TEXAS ELECTRONICS INC.
 AIR POLLUTION CONTROL SYSTEMS
 2125 MADISON AVE.
 MONTREAL, QUEBEC H4B 2T2
 TEL:(514) 842-4431 FAX (514) 842-8841

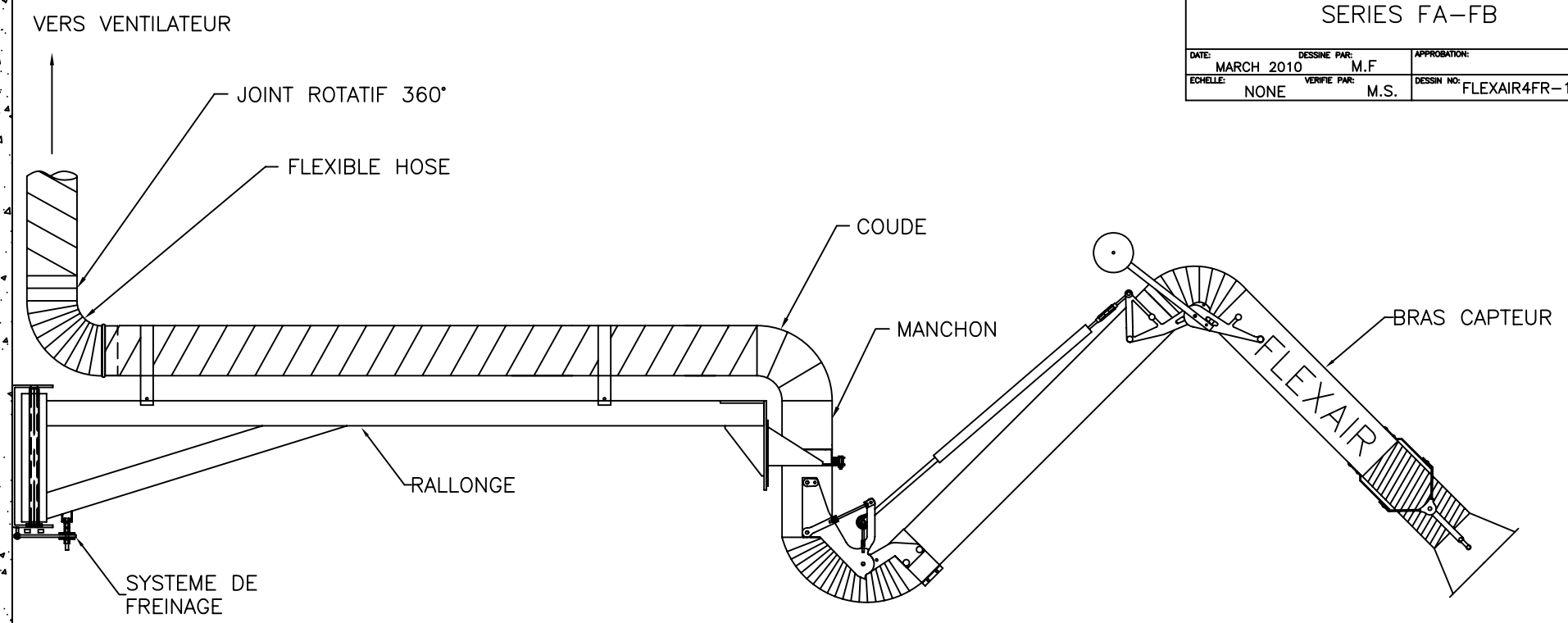
TITLE
FLEXAIR
TYPICAL RANGE OF MOTION
WITH FB EXTENSION BOOM



PLAN VIEW

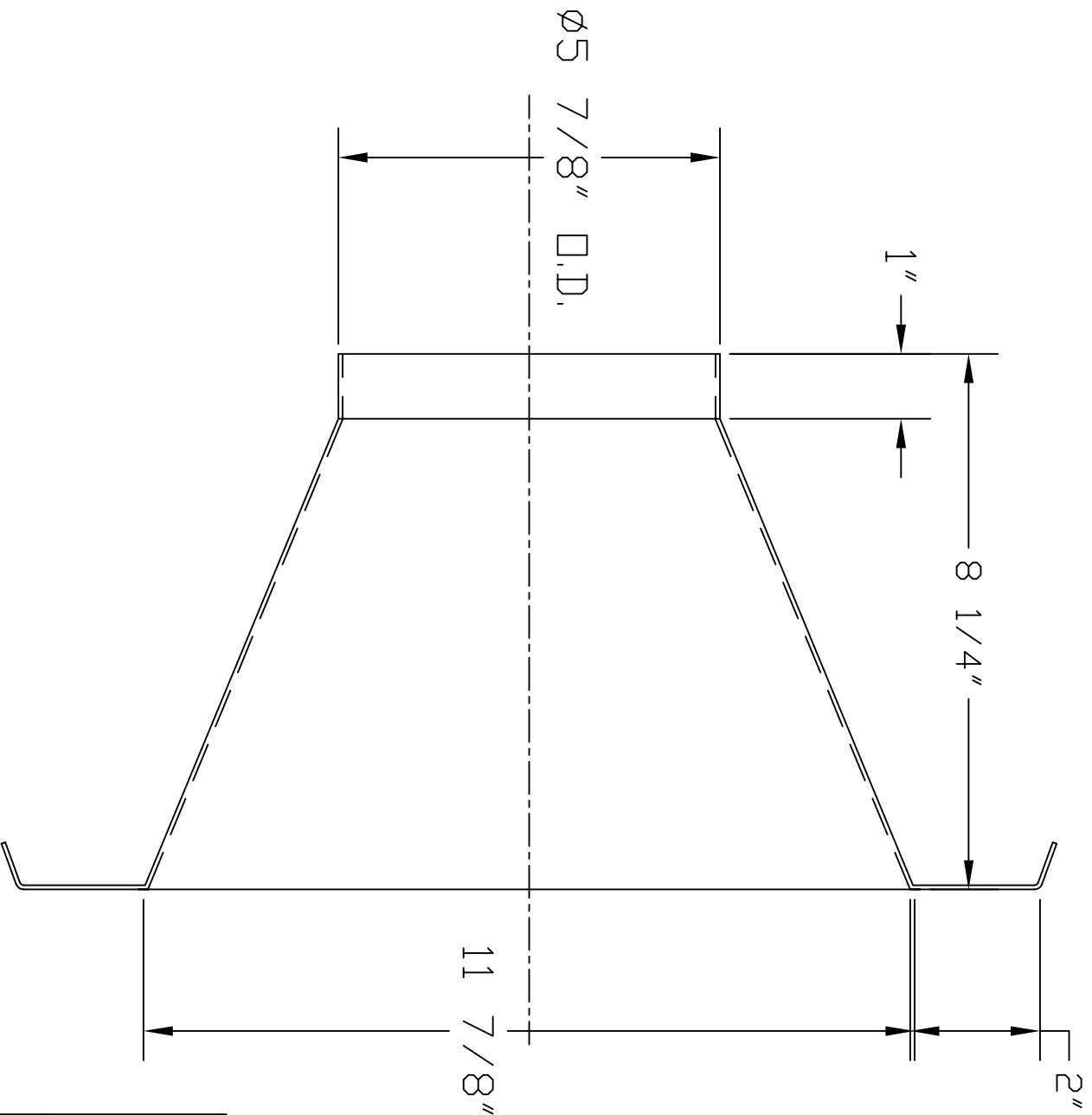
TITRE:
BRAS CAPTEUR ET RALLONGE
SERIES FA-FB

DATE: MARCH 2010 DESSINE PAR: M.F. APPROBATION:
 ECHELLE: NONE VERIFIE PAR: M.S. DESSIN NO: FLEXAIR4FR-1.DWG




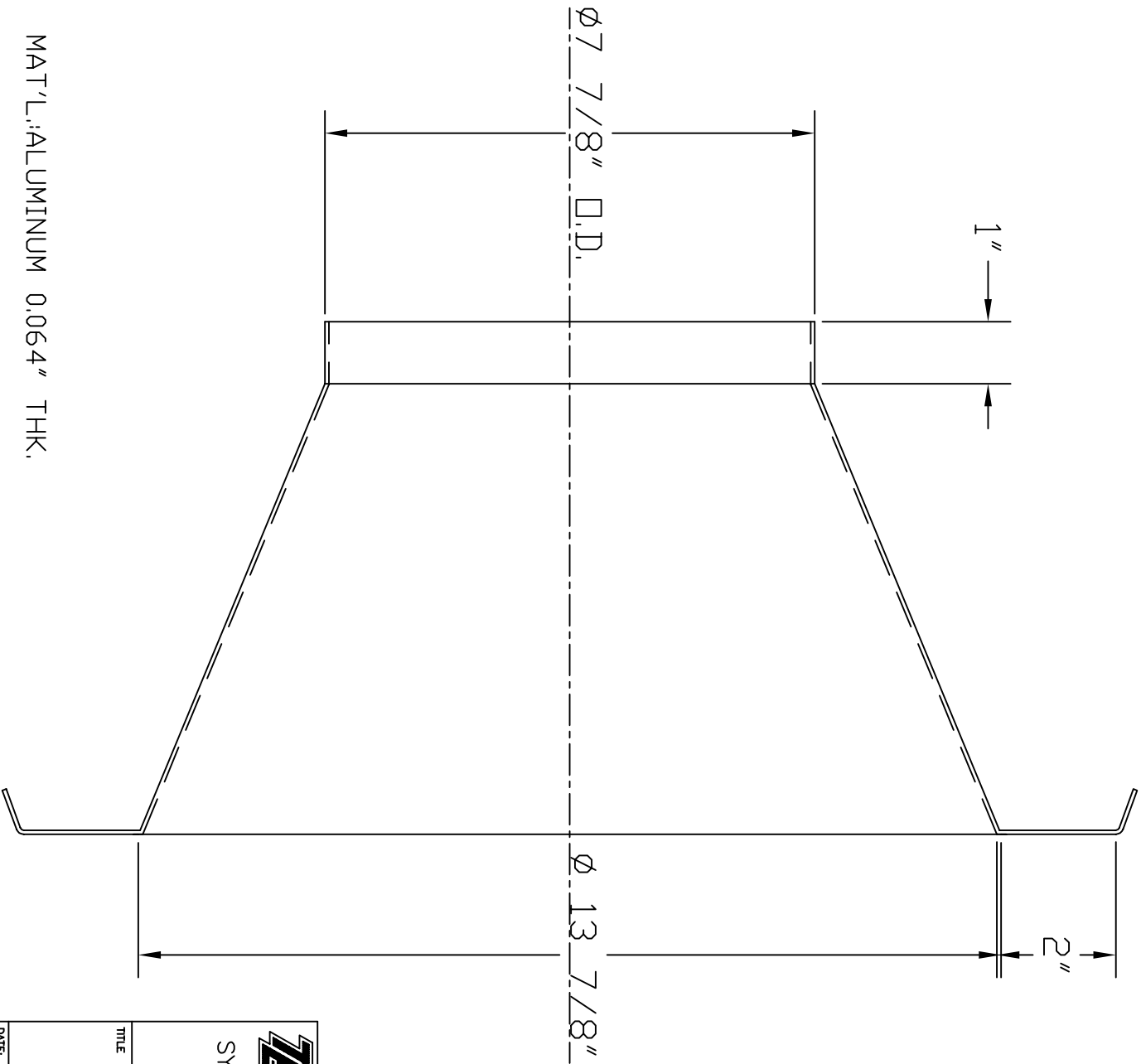
| RALLONGE | |
|----------|----------|
| MODELE | LONGUEUR |
| FB-5-6 | 5' |
| FB-5-8 | 5' |
| FB-7.5-6 | 7.5' |
| FB-7.5-8 | 7.5' |
| FB-10-6 | 10' |
| FB-10-8 | 10' |

| BRAS CAPTEUR | | |
|--------------|----------|----------|
| MODELE | LONGUEUR | DIAMETRE |
| FA-7-6 | 7' | 6" |
| FA-7-8 | 7' | 8" |
| FA-8.5-6 | 8.5' | 6" |
| FA-8.5-8 | 8.5' | 8" |
| FA-11-6 | 11' | 6" |
| FA-11-8 | 11' | 8" |
| FA-15-6 | 15' | 6" |
| FA-15-8 | 15' | 8" |



MAT'L: ALUMINUM 0.064" THK.

| | | |
|---|----------------|----------|
|  TEXAS ELECTRONIQUE (Canada) INC. AIR POLLUTION CONTROL SYSTEMS SYSTEMES DE CONTROLE DE POLLUTION D'AIR | | |
| 31, RUE ST-JACQUES, SUITE 200 MONTREAL (QUEBEC) H2Y 1K9 TEL:(514) 842-4431 FAX:(514) 842-8641 | | |
| TITLE | | |
| Ø6" NOZZLE | | |
| DATE: 17/04/2000 | DRAWN BY: M.F. | APPROVAL |
| DRAWING NO.: <ACAD> C:\... \FLEXAIR\FLEXAIR-6-DIA\6DIANDZZLE.DWG | | FLE-P17 |



MAT'L: ALUMINUM 0.064" THK.

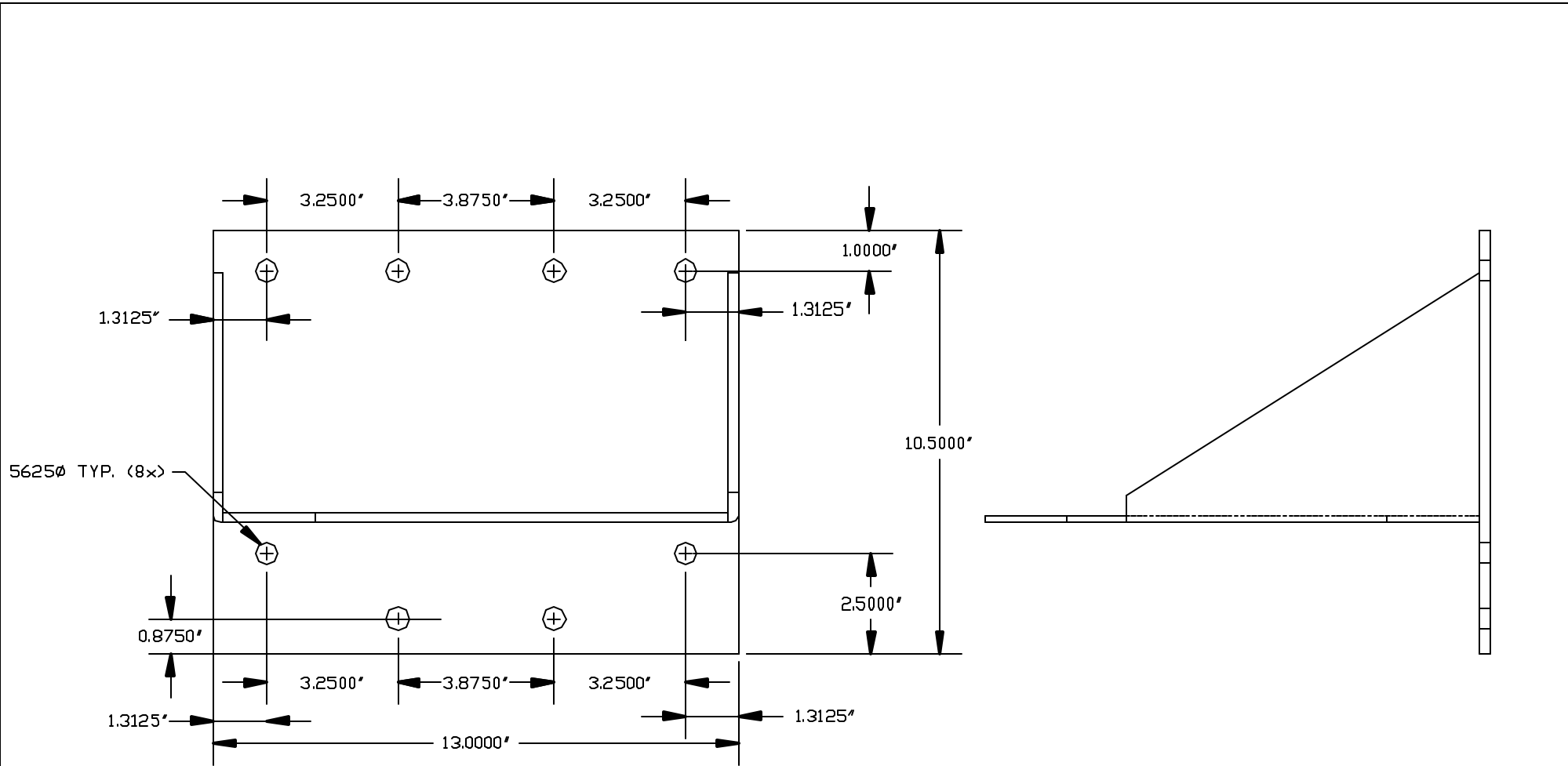


TEXAS ELECTRONIQUE (Canada) INC.
 AIR POLLUTION CONTROL SYSTEMS
 SYSTEMES DE CONTROLE DE POLLUTION D'AIR
 31, RUE ST-JACQUES, SUITE 200
 MONTREAL (QUEBEC) H2Y 1K9
 TEL: (514) 842-4431 FAX: (514) 842-8641

$\phi 8''$ NOZZLE

TITLE

DATE: 17/04/2000 DRAWN BY: M.F. APPROVAL: FLE-P29
 DRAWING No.: (ACAD) C:\... \FLEXAIR\FLEXAIR-8-DIA\8DIANDZZLE.DWG




TEXAS ELECTRONIQUE (Canada) INC.
AIR POLLUTION CONTROL SYSTEMS
SYSTEMES DE CONTROLE DE POLLUTION D'AIR
 2125 MADISON AVE.
 MONTREAL (QUEBEC) H4B 2T2
 TEL: (514) 842-4431 FAX: (514) 842-8641

TITLE

WALL MOUNTING BRACKET HOLE PATTERN

DATE 17/04/2000 DRAWN BY M.F. APPROVAL FLE-P02

DRAWING NAME (ACAD) C:\... \FLEXAIR \WALL BRACKET BACKPLATE.DWG