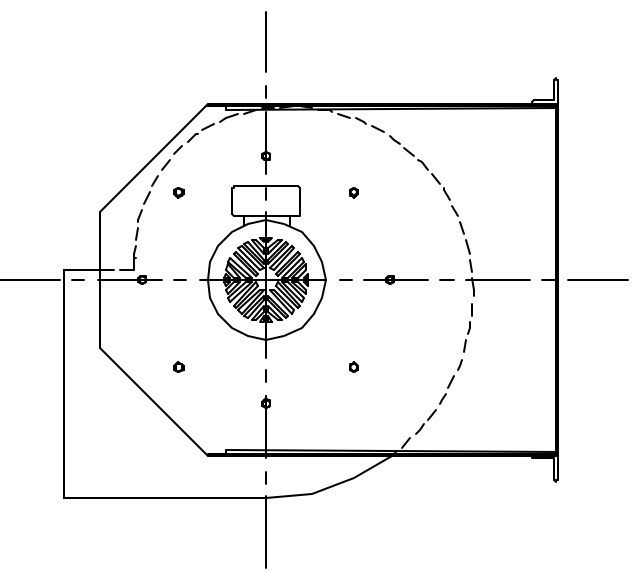
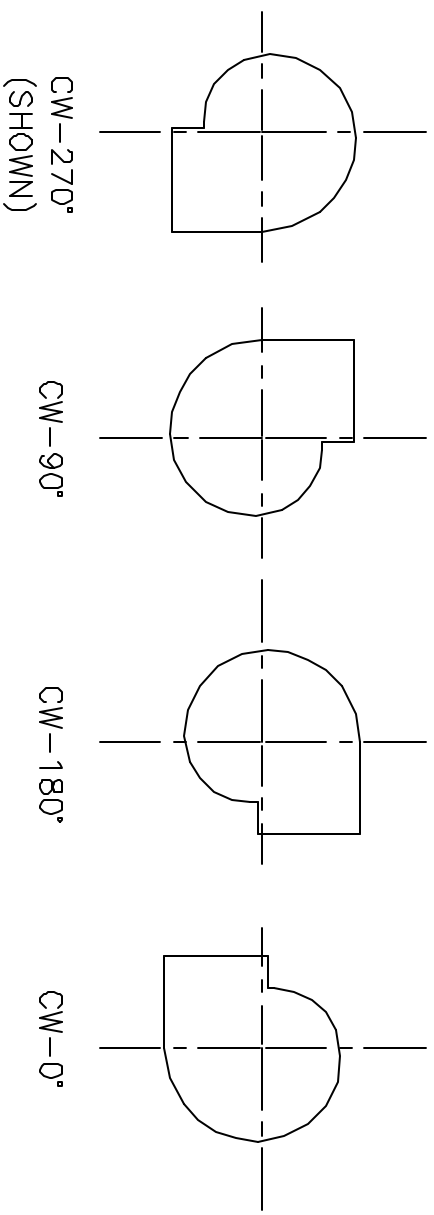
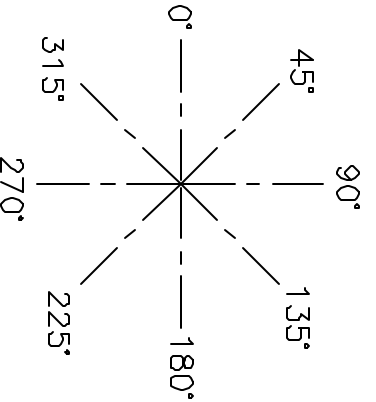



BLOWER ORIENTATIONS



TOP VIEW



NOTE: AT TIME OF INSTALLATION HOUSING MAY BE TURNED FOR OTHER DISCHARGES AND ROTATION IF SO DESIRED.

 TEXAS ELECTRONIQUE (Canada) INC. AIR POLLUTION CONTROL SYSTEMS 2125 MADISON AVE. MONTREAL (QUEBEC) H4B 2T2 TEL:(514) 842-4431 FAX:(514) 842-8641	
POWERAIR	
BLOWER ORIENTATIONS/DISCHARGES	
TITLE	
DATE MARCH 2004	DRAWN BY M.F.
SCALE NONE	CHECKED BY DYNAMIC IN POWERAIR1.DWG