

PERFORMANCE

Model	HP	1"s.p	2"s.p	3"s.p	4"s.p	5"s.p	6"s.p	7"s.p	8"s.p
PA 1.5	1.5	1350	1290	1200	1100	1000	850	690	-
PA 3	3	1950	1875	1750	1690	1550	1440	1275	1000
PA3 XP	3	2350	2250	2120	2000	1890	1700	1540	1280
PA 5	5	-	3800	3610	3400	3200	2800	2400	-

NOTE: Pressure drop shown in inches of water
Performance shown in CFM

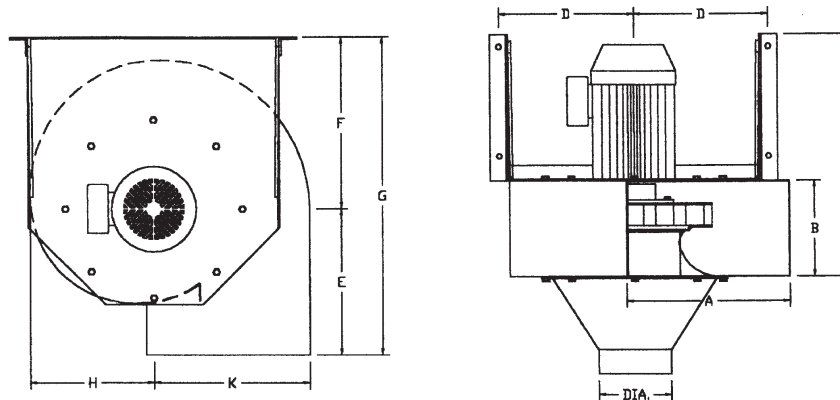
Voltages: POWERAIR 1.5 115/230/1/60 or 230/1/60 as well as all three phases voltages below
POWERAIR MODELS 3, 3XP and 5 230/1/60, 208/416/3/60, 230/460/3/60, 575/3/60

Motors are TEFC unless otherwise noted. Inquire about other types if required

DIMENSIONS and CHARACTERISTICS

Model	A	B	C	D	E	F	G	H	K	dia.	wt.
PA 1.5	14"	8"	23"	11"	12"	17"	29"	10"	13"	6"	100lbs
PA 3	15"	9"	24"	11"	13"	17"	30"	11"	14"	8"	129lbs
PA3 XP	15"	9"	24"	11"	13"	17"	30"	11"	14"	8"	129lbs
PA 5	15"	9"	24"	11"	13"	17"	30"	11"	14"	8"	141lbs

NOTE: Dimensions rounded to the nearest inch



* Texas Electroniques reserves the right to make changes in the design and specifications to improve our products.

MAX AIR SYSTEMS provide a safe, productive and healthy environment, while helping industry to meet ever-increasing clean air regulations.

MAX POWERAIR

is another product of:
TEXAS ELECTRONIQUES CANADA INC.
200-31 St. Jacques,
Montreal, Quebec, H2Y 1K9 Canada
Tel: (514) 842-4431 OR (800) 387-9696
Fax: (514) 842-8641
Web Site: www.texaselec.com
E-mail: texasinc@total.net

Distributed By:

