

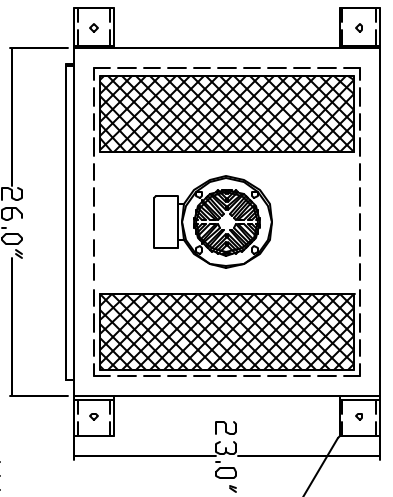


TEXAS ELECTRONICS INC.

AIR POLLUTION CONTROL SYSTEMS
2125 MADISON AVE.
MONTREAL, QUEBEC H4B 2T2
TEL: (514) 842-4431 FAX (514) 842-8641

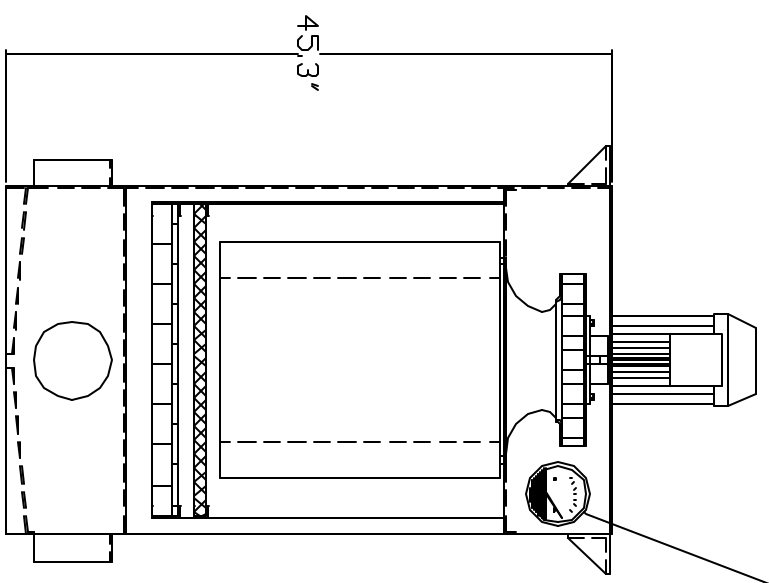
MISTAIR 1.5-OLP

TITLE	MISTAIR 1.5-OLP		
DATE	MARCH 2004	DESIGNER	M.F.
SCALE	NONE	CHECKED BY	M.S.
		DRAWING NO.	

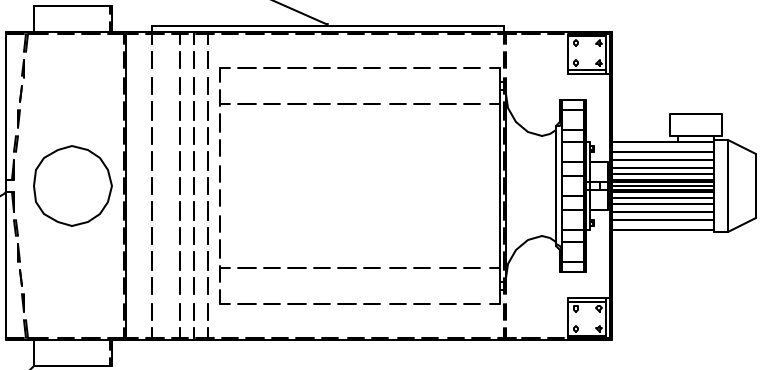


SUSPENSION LUGS

MAGNEHELIC GAGE



FILTER ACCESS



DRAIN SUMP

INLET (OPTIONAL SIDE)

- AIR VOLUME: 500-800 CFM NOMINAL
- MOTOR: 1.5 HP TEFC, 3450 RPM
- VOLTAGE 115/230/1/60
- BLOWER: DIRECT DRIVE, NON-OVERLOADING, BACKWARD INCLINED ALUMINUM WHEEL
- CABINET CONSTRUCTION: 14/16 GA. WELDED STEEL
- FILTRATION: 3 STAGE
2" IMPINGER
1" ALUMINUM WASHABLE PRE-FILTER
17.63" DIA. WASHABLE OLEOPHOBIC
MOISTURE REPELLANT CARTRIDGE
(122 SQ. FT.)
- MAGNEHELIC GAGE