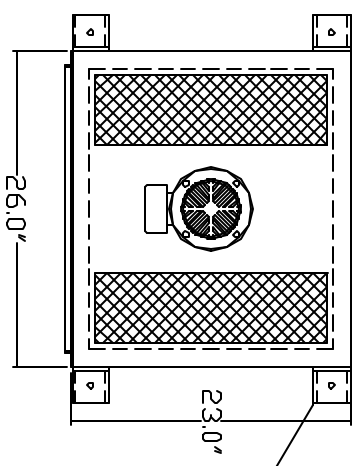




TEXAS ELECTRONICS INC.
 AIR POLLUTION CONTROL SYSTEMS
 2125 MADISON AVE.
 MONTREAL, QUEBEC H4B 2T2
 TEL: (514) 842-4431 FAX (514) 842-8841

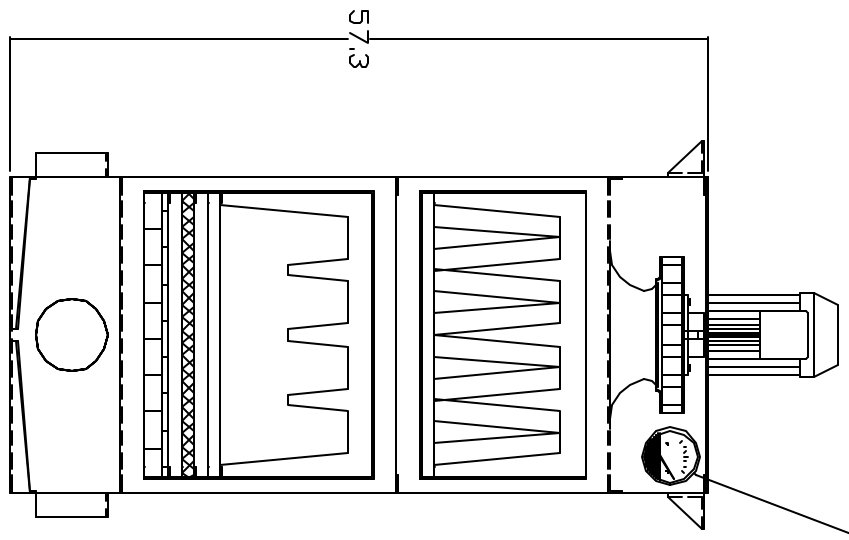
TITLE
MISTAIR 1.5-MV95-CM

| | | |
|--------------|-------------------|--------------------|
| DATE | DESIGN | APPROVAL |
| MARCH 2004 | M.F. | |
| SCALE | CHECKED BY | DRAWING NO. |
| NONE | M.S. | |

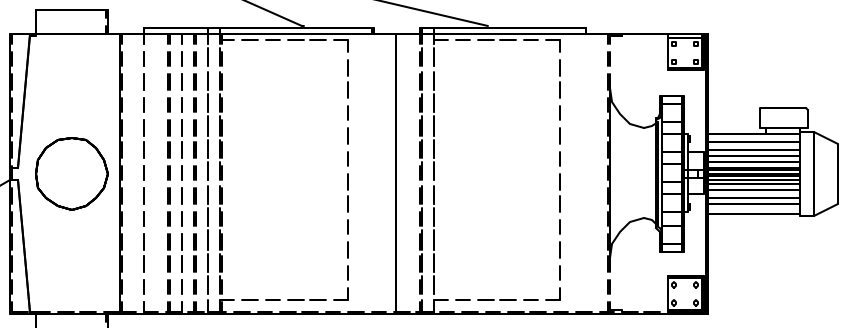


SUSPENSION LUGS

MAGNEHELIC GAGE



FILTER ACCESS



DRAIN SUMP

INLET (OPTIONAL SIDE)

- AIR VOLUME: 500-800 CFM NOMINAL
- MOTOR: 1.5 HP TEFC, 3450 RPM
- VOLTAGE 115/230/1/60
- BLOWER: DIRECT DRIVE, NON-OVERLOADING, BACKWARD INCLINED ALUMINUM WHEEL
- CABINET CONSTRUCTION: 14/16 GA. WELDED STEEL
- FILTRATION: 4 STAGE 2" IMPINGER
- 1" ALUMINUM WASHABLE PRE-FILTER
- HIGH EFFICIENCY EXTENDED SURFACE 100% SYNTHETIC FILTER MEDIA (143.63 SQ. FT.)
- CARBON MODULE 40 LBS.
- MAGNEHELIC GAGE