



TEXAS ELECTRONICS INC.

AIR POLLUTION CONTROL SYSTEMS

2125 MADISON AVE.

MONTREAL, QUEBEC H4B 2T2

TEL:(514) 842-4431 FAX (514) 842-8641

TITLE

**FLEXAIR
SOURCE CAPTURE ARM
TYPICAL RANGE OF MOTION**

DATE:

MARCH 2004

DRAWN:

M.F.

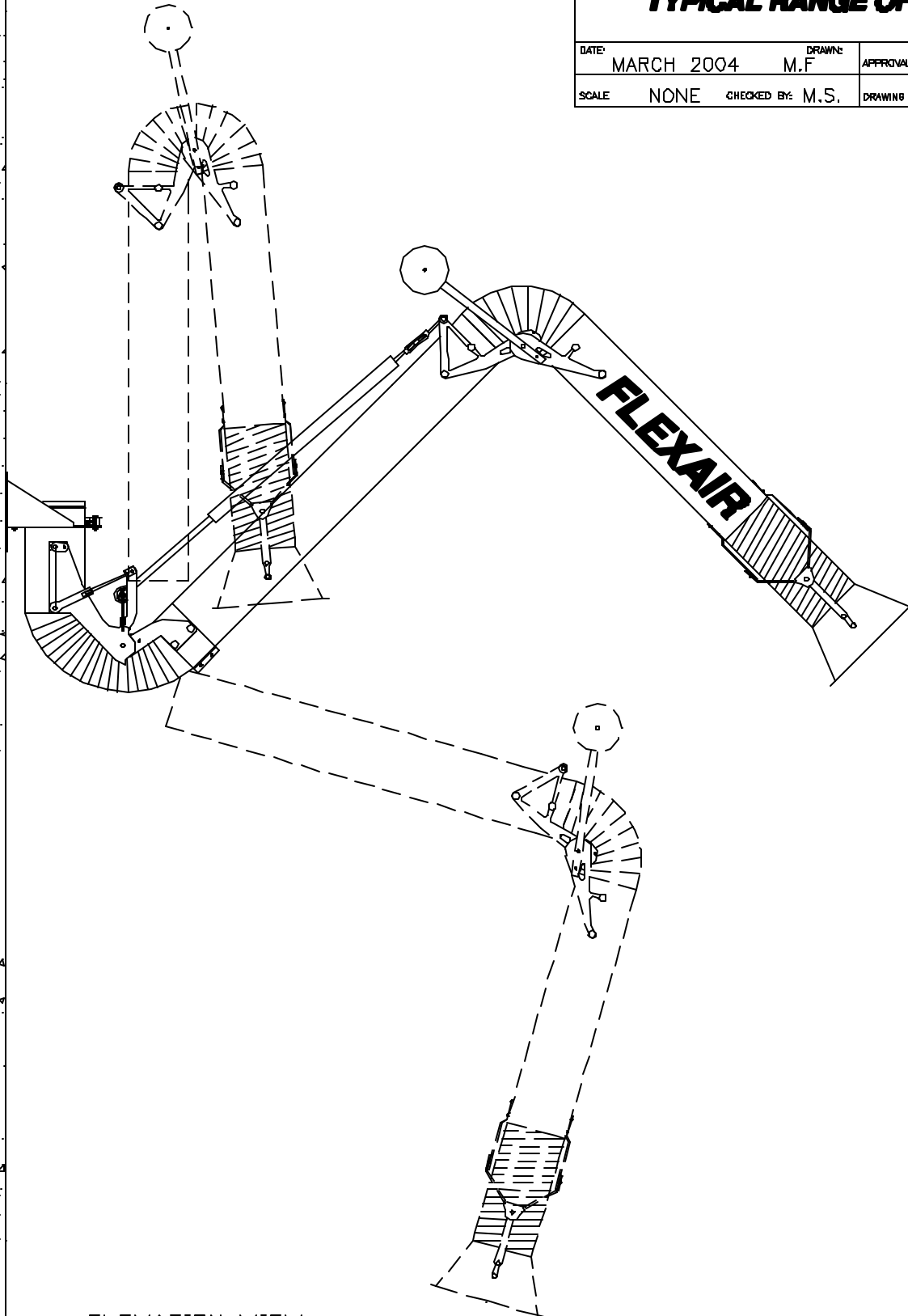
APPROVAL:

SCALE

NONE

CHECKED BY: M.S.

DRAWING NO. FLEXAIR2ENG.DWG



ELEVATION VIEW