

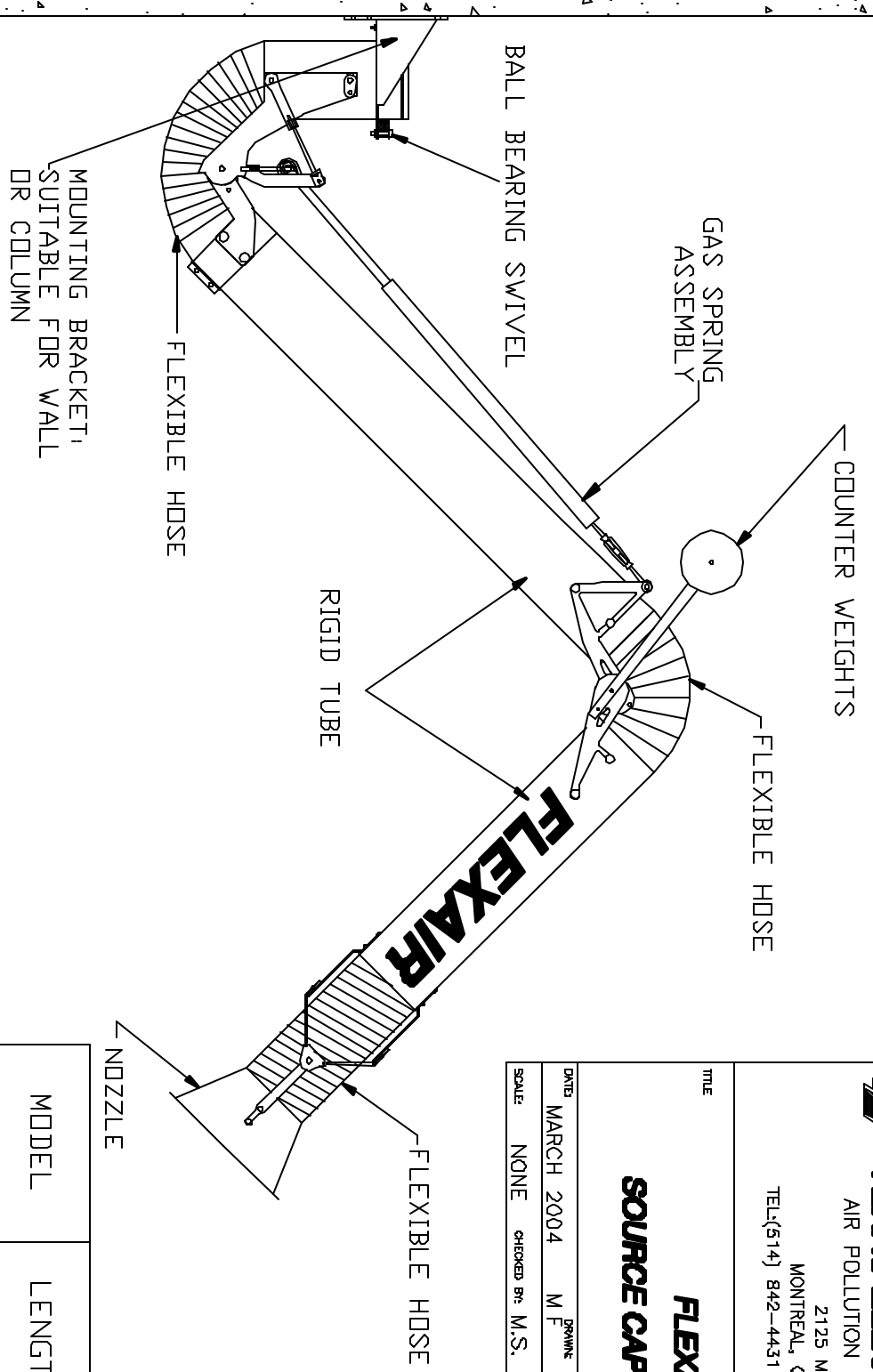


**TEXAS ELECTRONICS INC.**  
 AIR POLLUTION CONTROL SYSTEMS

2125 MADISON AVE.  
 MONTREAL, QUEBEC H4B 2T2  
 TEL:(514) 842-4431 FAX (514) 842-8641

TITLE  
**FLEXAIR**  
**SOURCE CAPTURE ARM**

DATE MARCH 2004 M F DRAWN APPROVAL  
 SCALE NONE CHECKED BY: M.S. DRAWING NO FLEXAIR1ENG.DWG



MODEL	LENGTH	DIAMETER
FA-7-6	7'	6"
FA-7-8	7'	8"
FA-8.5-6	8.5'	6"
FA-8.5-8	8.5'	8"
FA-11-6	11'	6"
FA-11-8	11'	8"
FA-15-6	15'	6"
FA-15-8	15'	8"