



TEXAS ELECTRONICS INC.

AIR POLLUTION CONTROL SYSTEMS

2125 MADISON AVENUE

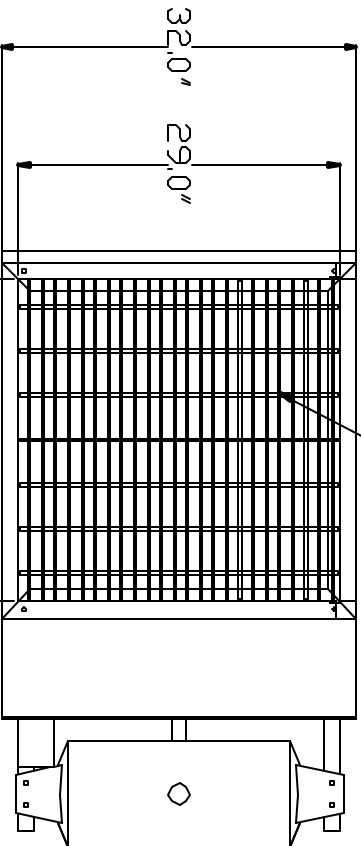
MONTREAL, QUEBEC H4B 2T2

TEL: (514) 842-4431 FAX (514) 842-8641

TITLE

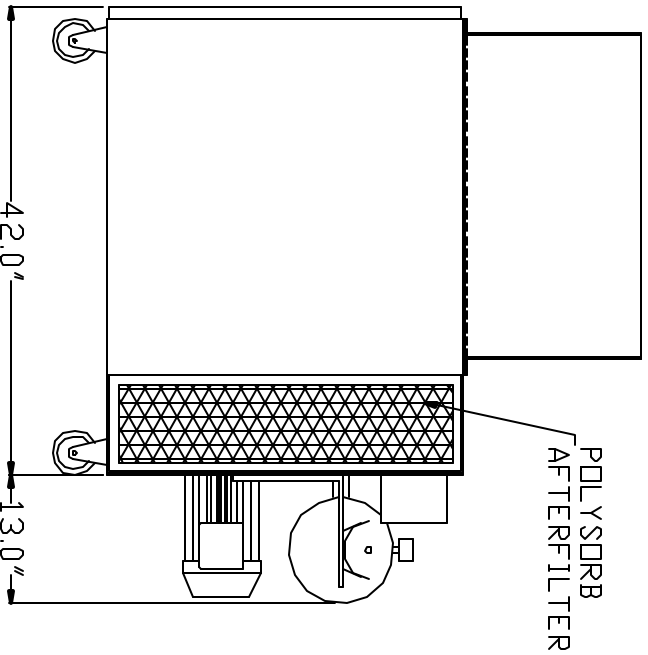
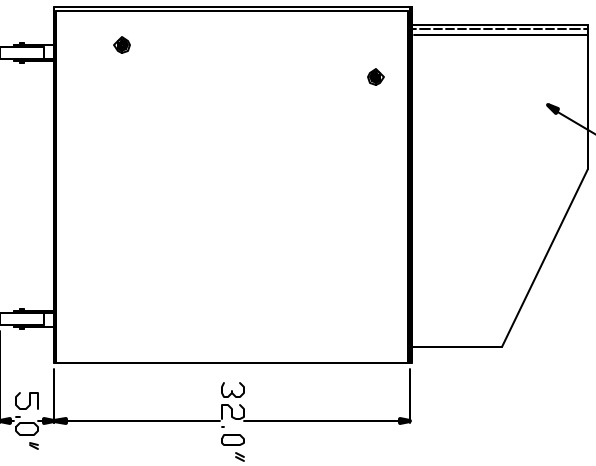
MAX MINI-DD-1.5 SC

DATE:	MARCH 2004	DRAWN:	M.F.	APPROVAL:	
SCALE:	NONE	CHECKED BY:	M.S.	DRAWING NO:	MINI-DD-1.5SC.DWG



GRATE AREA
WORK SURFACE

OPTIONAL SIDE AND
BACK WALLS



POLYSORB
AFTERFILTER

