

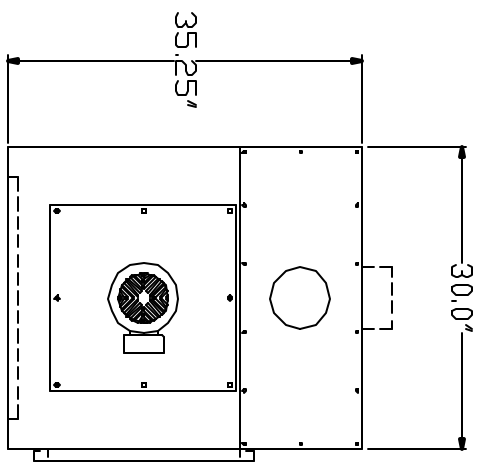


TEXAS ELECTRONICS INC.
 AIR POLLUTION CONTROL SYSTEMS

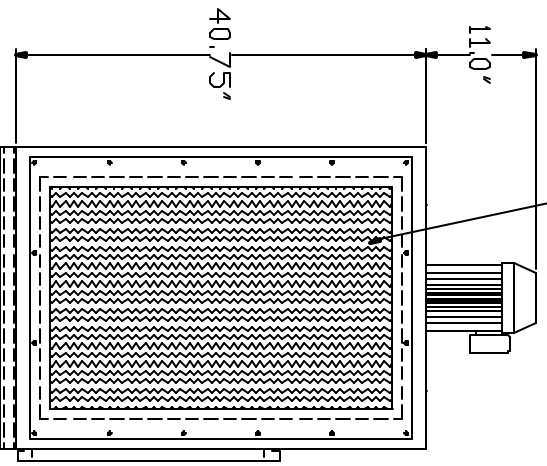
2125 MADISON AVENUE
 MONTREAL, QUEBEC H4B 2T2
 TEL: (514) 842-4431 FAX (514) 842-8641

**MAX FIXAIR-XX SC
 FLOOR MODEL**

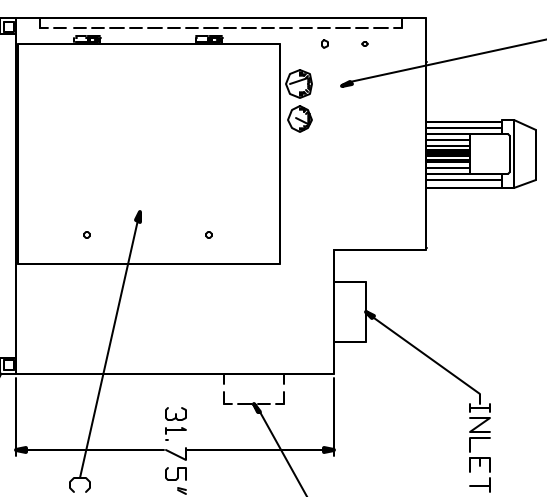
DATE: MARCH 2004	DESIGNED BY: M.S.	APPROVAL:
SCALE: NONE	DRAWING NO: FIXAIRFL00RMODELDWG	



- POLYSORB AFTERFILTER
- OPTIONAL HEPA FILTER
- OPTIONAL CARBON FILTER



- PRESSURE GAGE
- PUSH BUTTON PULSE CONTROL
- COMPRESSED AIR SUPPLY PORT
- OPTIONAL MINIHELIC GAGE



- INLET
- OPTIONAL INLET LOCATION
- CARTRIDGE ACCESS
- CASTORS AVAILABLE